

BIO330 // Round 2.5 Liter Bioethanol Burner

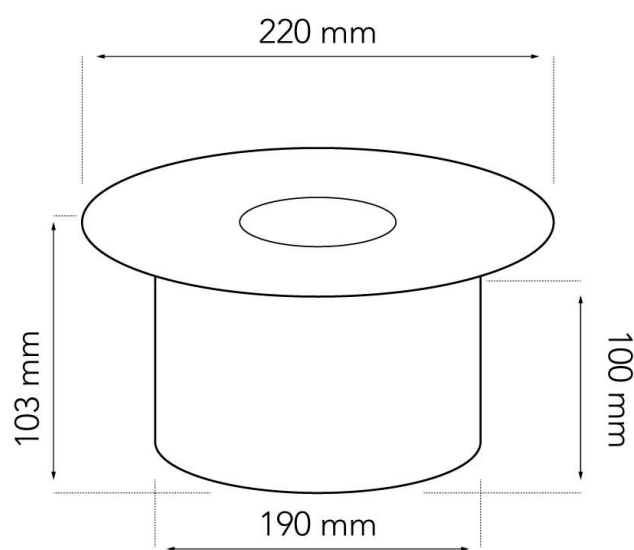
Technical Specifications

Fireplace Type	Bioethanol Burner
Fuel	Bioethanol, max. 97.5% alcohol
Weight	2.5 kg.
Materials	Stainless Steel
Size	Height: 103 / Diameter: 220 mm.
Colour	Steel
Burner type	Manual
Capacity	2.5 liters
Adjustable flame	No
Burn time	Up to 5-6 hours
Requires electricity	No
Heat effect	2.17 kW/h

Pictures



Technical Drawings



www.biofireplacegroup.com

Date of publication: 24/09-2018