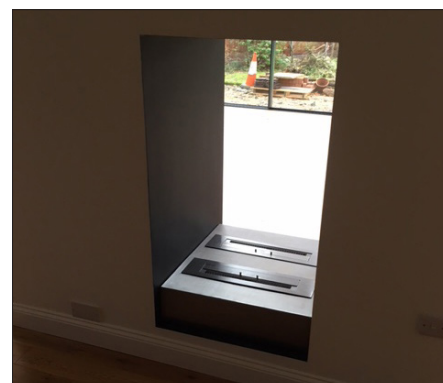


# BIO316 // Long 2.5 Liter Bioethanol Burner

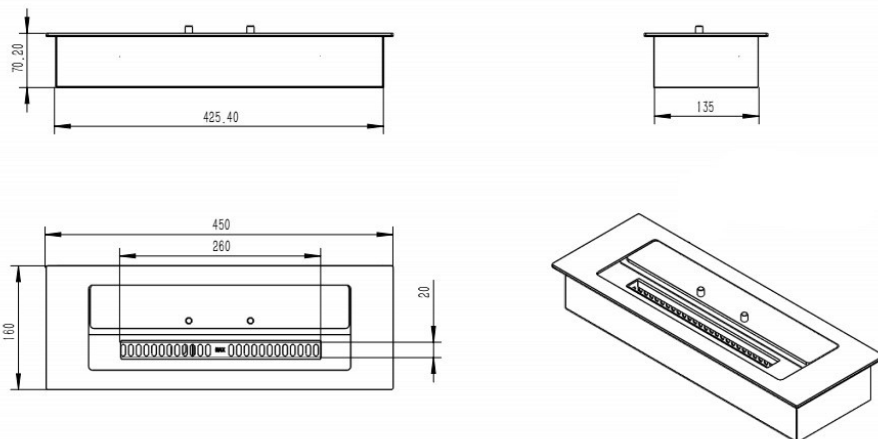
## Technical Specifications

Fireplace Type	Bioethanol Burner
Fuel	Bioethanol, max. 97.5% alcohol
Weight	5.7 kg.
Materials	Stainless Steel
Size	Height: 70 / Width: 450 / Depth: 160 mm.
Colour	Steel
Burner type	Manual
Capacity	2.5 liter
Adjustable flame	Yes
Burn time	Approximately 4 hours
Requires electricity	No
Heat effect	2.17 kW/h

## Pictures



## Technical Drawings



[www.biofireplacegroup.com](http://www.biofireplacegroup.com)

Date of publication: 08/10-2018