

BIO-30-006 // 120 cm Two-sided Built-in Fireplace

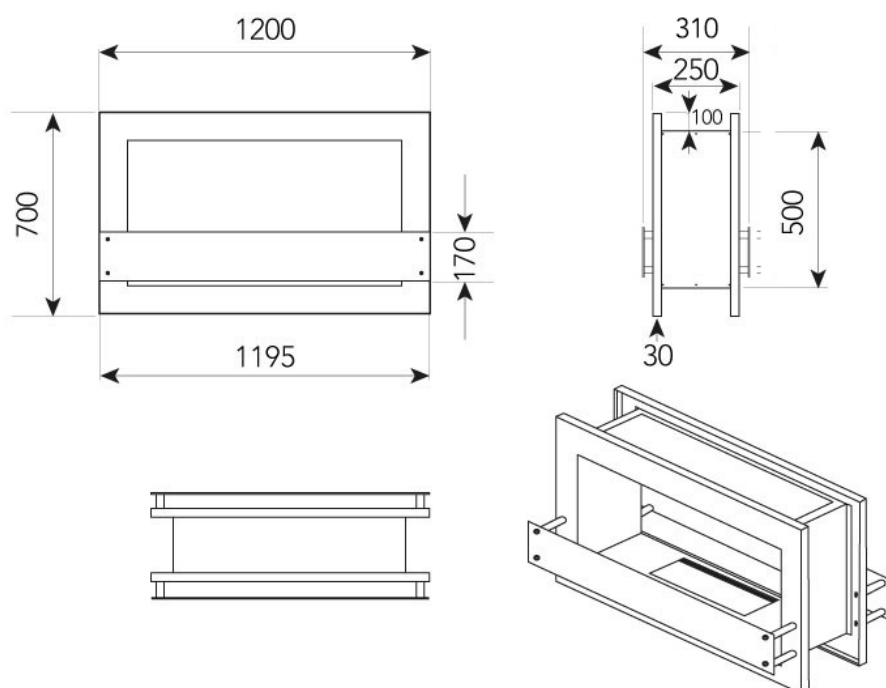
Technical Specifications

Fireplace Type	Built-in bioethanol fireplace
Fuel	Bioethanol, max. 97.5% alcohol
Weight	37.5 kg.
Materials	Stainless Steel, Tempered Glass
Size	Height: 700 / Width: 1200 / Depth: 310 mm.
Colour	Black
Burner type	Manual
Capacity	4.0 liters
Adjustable flame	Yes
Burn time	Up to 6 hours
Requires electricity	No
Heat effect	4.92 kW/h

Pictures



Technical Drawings



www.biofireplacegroup.com

Date of publication: 25/09-2018