



Installation and Operating Manual

ebios-fire - La Vela





PREFACE / QUALITY PHILOSOPHY

You have decided in favour of an ebios-fire - thank you for your confidence in our company.

In a world of abundance and mass production, we connect our name with the credo of our owner, Mr. Gerhard Manfred Rokossa:

„High technical quality combined with a contemporary style, as well as service for the sake of the customer's satisfaction and recommendation.“

We and our trade partners offer you first-class products that are emotionally moving and also engender feelings of comfort and security. To achieve this, we recommend that you read the operating instructions carefully in order to get a quick and comprehensive overview of your decorative fireplace.

In addition to information on use, these instructions also include important details on care and operation to guarantee your safety and to protect the value of your ebios-fire as well as useful tips and guidance.

For further enquiries, please contact your specialist dealer.

We hope you enjoy your new stove.

G.M. Rokossa

CONTENTS

1. General information	4	5. Maintenance / troubleshooting	11
1.1 Scope of delivery of the La Vela I - III	5	5.1 Unpleasant odours	11
1.2 Scope of delivery of the La Vela IV - IX	5	5.2 Appearance of flames changes	11
2. Installation instructions	5	5.3 Spilt ethanol ignites	11
2.1 Technical data	6	6. General warranty conditions	12
2.2 Basic requirements for installation	6	6.1 Area of application	12
2.3 Installation site	7	6.2 General information	12
2.4 Installation	7	6.3 Warranty period	12
2.4.1 Distance from combustible components	7	6.4 Requirements for this warranty to be effective	12
2.5 Combustion air supply	7	6.5 Exclusion of warranty	12
3. Operating Manual	7	6.6 Elimination of defects / repair	13
3.1 General information on operation	7	6.7 Extension of the warranty period	13
3.2 Fuel	8	6.8 Spare parts	13
3.3 Initial commissioning	9	6.9 Liability	13
3.3.1 Filling and lighting	9	6.10 Final comments	13
3.3.2 Extinguishing the appliances	10		
3.3.3 Temperature curve of the painted flame	10		
3.4 Refilling the burner	11		
4. Cleaning and care	11		
4.1 Cleaning cladding parts	11		

IMPORTANT INFORMATION

As per the German Equipment and Product Safety Act (GPSG) and our statutory duty to notify, we would like to inform you about heating with this product.

The decorative fireplace requires a plentiful supply of fresh air when operated as otherwise the amount of carbon dioxide created exceeds the permitted concentration in the room air.

As a rule, the fresh air supplied is cooler than the room air to be heated up which results in a loss of energy. The effective heat output of a biofuel fireplace is thus minimal and, as such, decorative fireplaces which use biofuel are not sources of heat.

Rather these are merely decorative and are not intended for heating or continuous operation. Nevertheless, it should be taken into account that heat is generated as a by-product of the combustion process. This can cause increased heating in the room where the fireplace is installed.

Observe these operating instructions.

1. GENERAL INFORMATION

Small children, elderly or infirm persons: as is the case with all open flames, it is expedient that you attach a protective fixture for these groups of persons **Risk of burn injuries!**

Never leave these groups of persons unattended near the ebios-fire when a fire is burning or has just been extinguished! The ebios-fire must not be operated without supervision!

State-specific and local directives and regulations, in particular the fire safety regulations of the German Federal State or the Association of Swiss Canton Fire Insurance companies (VKF) must be complied with for the set-up and operation of your ebios-fire.

Ensure during installation the unit is mounted securely, choosing a location that prevents any movements of the burner during operation as a result of collision impacts or similar events.

Please note that the fuel may not be refilled whilst the device is still warm or burning. The device may **ONLY** be refilled via the filling opening. We recommend that you put out the ebios-fire by running it until the fuel tank runs dry.

Only allow the device to be refilled by individuals who are familiar with the safety instructions and who you have trained on its operation.

The ebios-fire is not a heater but a decorative fire.

Bioethanol (96.6%) is a dangerous substance and must only be stored in the

prescribed quantities as per the regulations:

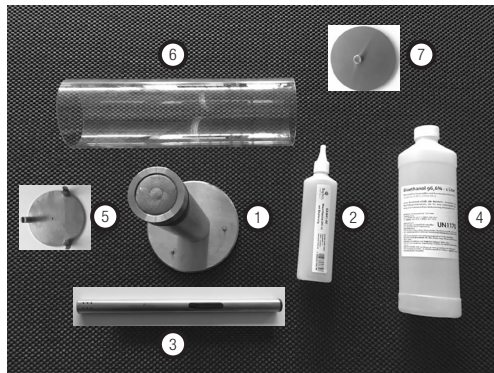
Storage in a cellar: max. 20 litres
Storage in living space: max. 5 litres

Note: Please note that the luminosity of the flame can decrease to such an extent that the flame is no longer clearly visible. Make children and others in the home aware of this.

1.1 SCOPE OF DELIVERY OF THE LA VELA I - III

ebios-fire La Vela I - III with the following features:

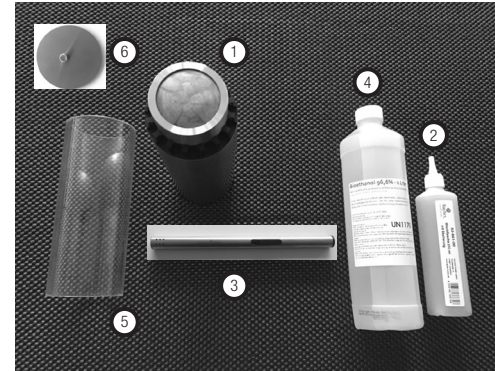
- La Vela made of stainless steel (1)
- Bottle for wetting the burner surface (2)
- Stick lighter (3)
- Ethanol (96.6%) 1L bottle (4)
- Glass holder (cost option only) (5)
- Glass (cost option only) (6)
- Cover (cost option only) (7)



1.2 SCOPE OF DELIVERY OF THE LA VELA IV - IX

ebios-fire La Vela IV - VI with the following features:

- La Vela made of stainless steel (1)
- Bottle for wetting the burner surface (2)
- Stick lighter (3)
- Ethanol (96.6%) 1L bottle (4)
- Glass (5)
- Fire extinguisher lid (6)



2. INSTALLATION INSTRUCTIONS

Please follow the information below carefully. Bear in mind that bioethanol is a liquid fuel which is highly flammable and which results in high local temperatures when burnt. Failure to comply with the instructions for installation and operation can result in dangerous situations and even explosion of the fuel. Proper installation and handling ensure safe and reliable operation. The device must not be able to tilt and must be positioned horizontally. This is in the interest of your own safety.

2.1 TECHNICAL DATA

	La Vela I	La Vela II	La Vela III	La Vela IV	La Vela V	La Vela VI	La Vela VII	La Vela VIII	La Vela IX
Brennstoffart	Bioethanol (96.6% degree of purity)								
Füllmenge	max. 0,18 litres	max. 0,18 litres	max. 0,18 litres	max. 0,5 litres	max. 0,5 litres	max. 0,5 litres	max. 0,5 litres	max. 0,5 litres	max. 0,5 litres
Brennstoffverbrauch	0,045 l/h	0,045 l/h	0,045 l/h	0,08 l/h	0,08 l/h	0,08 l/h	0,08 l/h	0,08 l/h	0,08 l/h
Brenndauer	approx. 4 h	approx. 4 h	approx. 4 h	approx. 6 h	approx. 6 h	approx. 6 h	approx. 6 h	approx. 6 h	approx. 6 h
Temperatur im Tank	< 65°C	< 65°C	< 65°C	< 65°C	< 65°C	< 65°C	< 65°C	< 65°C	< 65°C
Gewicht komplett mit Brenner	1,5 kg	1,8 kg	2,0 kg	1,6 kg	1,8 kg	2,0 kg	11,0 kg	12,5 kg	14,0 kg

2.2 BASIC REQUIREMENTS FOR INSTALLATION

All the relevant national and European standards as well as the local regulations (fire protection regulations etc.) must be observed and applied during installation and operation of the ebios-fire! The list of regulations given below is not exhaustive.

BetrSichV	Operational safety ordinance
Vbf	Flammable liquids directive
BsV	Fire protection directive of the relevant German federal state (Bundesland)
LBO	Federal state construction directives
GefStoffV	Hazardous substances directive

The ebios-fire may only be set up in rooms and locations where there are no hazards due to the site, structural conditions and type of use. The floor area of the installation room must be designed and dimensioned so that the ebios-fire can be operated properly and as per the intended use.

Only permitted and sufficiently strong transport aids may be used to transport the ebios-fire.

The following points must be noted to ensure safe and problem-free transport.

- There must be no fuel in the tank during transportation.

DAMAGE DURING TRANSIT should be reported immediately to the supplier. Protect the cladding and visible elements from soiling and damage during installation and transportation.

2.3 INSTALLATION SITE

When setting up/installing the ebios-fire ensure that the device is not positioned within the direct radiation area of large heat sources (heaters, stoves etc.) or in rooms exposed to high temperatures (e.g., saunas).

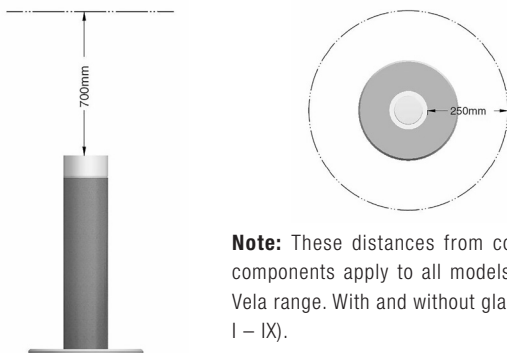
Your ebios-fire must not be installed in:

1. In garages.
2. In rooms in which highly combustible or potentially explosive substances or mixtures are processed, stored or manufactured in quantities that would be hazardous in the event of ignition or explosion
3. In insufficiently ventilated rooms.

2.4 INSTALLATION

2.4.1 DISTANCE FROM COMBUSTIBLE COMPONENTS

Please maintain a sufficient distance from combustible materials and ensure that no combustible objects are located above the flame.



Note: These distances from combustible components apply to all models in the La Vela range. With and without glass (La Vela I – IX).

2.5 COMBUSTION AIR SUPPLY

Your ebios-fire draws its combustion air from the room in which it is installed (dependent on indoor air). It must be ensured that there is a sufficient supply of fresh air to the room in which the fire is installed. It is possible that there is not a sufficient supply of fresh air if the windows and doors are sealed (e.g., in combination with energy saving measures). This can compromise your well-being and, under certain circumstances, also your safety and the combustion performance. Open a window to ensure a sufficient supply of fresh air.

3. OPERATING MANUAL

Read these installation and operating instructions carefully before installing and starting up your ebios-fire. Please follow the regulations for fire protection and dangerous goods!

3.1 GENERAL INFORMATION ON OPERATION

- Small children, elderly or infirm persons: As is the case with all open flames, it is expedient that you attach a protective fixture for these groups of persons (available as an accessory from specialist dealers) **Risk of burn injuries!** Never leave these groups of persons unattended near the ebios-fire when a fire is burning or has just been extinguished! Make these individuals aware of these risks.
- No combustible objects may be placed or laid on the free surfaces of the ebios-fire. Do not attempt to dry out any clothing on the hot tiles.
- Thermal energy is released during the combustion process which causes the burner, the housing surfaces, the glass panes (depending on the model) and the protective glass panes to heat up. It is not permitted to touch these items without taking the necessary precautions (e.g., heat-resistant glove). **Risk of burn injuries!**

- Never leave the fire unattended whilst it is alight!



- It is recommended to open a window during operation.
- The burner may only be operated with the burner mat and wicks. It is not permitted to change the number of wicks, the wick material or the burner mat.
- The ebios-fire models must not be modified.
- This is merely a decorative fireplace for use in the home and is not intended for heating or continuous operation! Nevertheless, it should be taken into account that heat is generated as a by-product of the combustion process. Amongst other things this can cause increased heating in the room where the fireplace is installed.
- There should never be any fuel in the tank when the burner is not in use.
- After shutting down these appliances, always allow at least 1 hour for them to cool.
- The burner must NOT be filled when warm or alight. **MORTAL DANGER**



- The handling of fuel in the vicinity of the hot or burning device is associated with significant risks and is not permitted!
- Only fill the burner via the filling opening and never via the burner mat.
- Should you accidentally spill ethanol, clean this up immediately and before lighting the burner!
- Please note that the luminosity of the flame can decrease to such an extent that the flame is no longer clearly visible. Make children and

others in the home aware of this.

- Minimum waiting time between extinguishing and refilling these models = 1 hour!
- Do not smoke when handling fuel and operating the ebios-fire.

Failure to follow these basic rules can result in uncontrolled ignition or even explosions!

3.2 FUEL

Bioethanol (chemical formula C_2H_6O) with an ethanol content of 96.6% is used as the fuel. This can be purchased from specialist dealers. It is a dangerous substance as per ADR: Class 3 PG II, UN 1170.

Under no circumstances should other fuels such as petrol, spirit or similar flammable liquids be used. Do not mix the fuels together or with other substances. The burners may only be operated using the prescribed fuel (96.6% degree of purity) otherwise the warranty will be rendered void and the device may be unsafe or dangerous to operate.

Ethanol is a highly flammable liquid which must be stored well sealed, protected from light and away from sources of fire. It is permitted to store max. 5 l in the living space and max. 20 l in the cellar. Keep bioethanol out of the reach of children. For your safety only fill the burner just before use to prevent it from being ignited unintentionally or by unauthorised persons and to also stop the fuel from evaporating.

Please note that ethanol is used exclusively for combustion and it not suitable for consumption. Supervise your children! If swallowed consult a doctor immediately and present the fuel label

3.3 INITIAL COMMISSIONING

1. Ensure that the scope of delivery includes all the components you require. (see Point 1.1 – 1.2)
2. Ensure that there are no ignition sources in the immediate vicinity. (candles, open fire etc.)
3. Install the floor stand provided, using the Allen screw provided (only on La Vela I - III)
4. Install (cost option only) the corresponding attachment for the glass holder. (also refer to scope of delivery, page 5, item 5)
5. Please note that the burner head of the candle gets hot and can cause burn injuries. Please instruct the people in the room to this effect

3.3.1 FILLING AND LIGHTING

1. To fill the ebios product, you must lift the top off upwards. To do this, pull the head above the black ring upwards and rock it to and fro. The head is located firmly on the lower section because a high level of seal integrity must be assured



2. Take the 1 litre ethanol bottle provided and open the safety cap. Now fill the product up to about 3 cm below the black ring. Close the bottle and place it to one side.



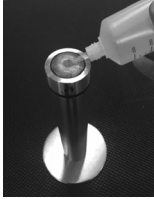
3. Remove the cover of the pipette bottle supplied. Press down on the bottle and hold it in the filled aperture to draw off a proportion of the ethanol. (approx. 10-15 ml).



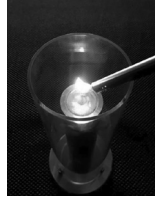
4. Place the pipette bottle to one side. Now remove the burner head from the La Vela and reinstall it on the lower section. The head must lie flush with the black ring to assure optimum seal integrity.



- Now sprinkle the burner head of the La Vela with the filled pipette bottle, as shown in the following Fig. After this, put the bottle down to one side.



- Now fit the glass (cost option only) and light the La Vela using a stick lighter.



- Enjoy the flame pattern.

Attention: Burner head and glass get hot. Do not touch while in operation or during the cooling phase **burns hazard**.

The painted flame symbol acts as a reminder. While it is red, neither touch the glass nor the head.

3.3.2 EXTINGUISHING THE APPLIANCES

The La Vela products are easy and straightforward to extinguish.

Extinguishing the La Vela I - III without glass (Mini range)

You can simply blow out the candles. Please ensure that no combustible materials are located in the vicinity.

Extinguishing of La Vela I - III with glass (Mini range)

To extinguish the La Velas with glass, please use the fire blanket supplied (page 5, Pos. 7) and place this flush with the glass. The flame now goes out.

Extinguishing of La Vela IV - IX with glass (Midi & Grande ranges)

To extinguish these La Vela models with glass, please use the fire blanket provided (page 7, item 6) and place this flush with the glass. The flame now goes out.

ATTENTION: After extinguishing these La Vela products, leave them to cool down for at least 1 hour before starting them up again. The painted flame acts as a reminder. (Also see Chapter 3.3.3)

3.3.3 TEMPERATURE CURVE OF THE PAINTED FLAME

While the flame is red, there is the danger of burn injuries. Please note.



3.4 REFILLING THE BURNER

The burner must NOT be filled when warm or alight. **DANGER TO LIFE!**



Minimum waiting time between extinguishing and refilling the burner = 1 hour!

Please also leave the glass cylinders which may still be hot on the device during this time! **Risk of burn injuries!**

4. CLEANING AND CARE

The ebios-fire models may only be cleaned when cold.

4.1 CLEANING CLADDING PARTS

- Wait until the device has cooled down before cleaning (at least 1 hour)!
- Decorative metal surfaces and the cladding parts can be cleaned with a moist cloth (do not use a microfibre cloth!).
- Glass surfaces can be cleaned with a standard glass cleaner and a soft cloth (do not use a microfibre cloth!).
- Stainless steel surfaces can be cleaned with a standard stainless steel cleaning agent.

Remove any dust on and below the ebios-fire models regularly as dust particles can burn or char. This can cause dirt in the room and on the furnishings where the fire is installed.

5. MAINTENANCE / TROUBLESHOOTING

- The wick and burner mat must be visually inspected at regular intervals. The material can be easily damaged. It is not permitted to change the wick.
- Only use our original spare parts.
- Please contact your specialist dealer should you have any questions.

5.1 UNPLEASANT ODOURS

- Fuel in a burner which is not in use?
- Fuel was spilt when filling the device?

5.2 APPEARANCE OF FLAMES CHANGES

- Is the burner surface (screen grilled) damaged?
- Has the correct fuel been used? → Ethanol 96.6%

If the appearance of the flames changes noticeably, especially if the flames begin to extend markedly, stop using the device and notify the specialist dealer!

5.3 SPILT ETHANOL IGNITES

If spilt ethanol is ignited, attempt to put out the flames immediately. Use, for example, CO₂ fire extinguishers or appropriate fire blankets. We recommend that such extinguishing agents be kept at the ready.

Should it not be possible to extinguish the fire rapidly, the fire service must be notified immediately and their instructions followed.

6. GENERAL WARRANTY CONDITIONS

6.1 AREA OF APPLICATION

These standard warranty terms apply for the contractual relationship between the manufacturer, Spartherm Feuerungstechnik GmbH, and the dealer/distributor. They are not congruent with the contractual and warranty terms which the dealer/distributor offers his customers in individual cases.

6.2 GENERAL INFORMATION

This product has been manufactured in compliance with current standards of quality control. The materials used have been carefully selected and - like the production process - are subject to on-going quality control. Specialist knowledge is required when assembling and installing the product. The product must, therefore, only be installed and commissioned into service by specialist technical staff, in compliance with current statutory provisions.

6.3 WARRANTY PERIOD

The standard warranty terms only apply within Germany and the European Union. The warranty period and scope of the warranty are ensured within the framework of these conditions outside the statutory warranty which remains unaffected.

Spartherm Feuerungstechnik GmbH grants a 24-month warranty on ebios-fire devices.

Spartherm Feuerungstechnik GmbH grants a 6-month warranty on wearing parts in the fire area, e.g., wicks, burner mats, seals and glass ceramic.

6.4 REQUIREMENTS FOR THIS WARRANTY TO BE EFFECTIVE

The warranty period shall begin on the date, on which the product is delivered to the dealer / distributor. Invoices or delivery notes may be used as confirmation of the warranty commencement date. The warranty certificate for the product must be presented by the claimant upon making a warranty claim. Spartherm Feuerungstechnik GmbH is not obliged to satisfy any claim if such documentation is not presented.

6.5 EXCLUSION OF WARRANTY

This warranty does not cover:

- component wear
 - Wick/burner mat due to thermal stress
- the fireplace surfaces:
 - Discolouration of the finish or on the galvanic surfaces of the furniture and/or burner which are a result of thermal stresses or overloading
- the glass panes:
 - contamination, due to soot or other burnt-on combustion materials and visual deterioration due to thermal loading.
- Use of unsuitable or non-designated fuel. We recommend bioethanol from Spartherm Feuerungstechnik GmbH with a concentration in excess of 96% for your ebios-fire device.
- incorrect transportation and/or incorrect storage:
- inappropriate or careless handling of fragile components, such as glass or ceramics
- improper operation and/or use
- incorrect filling of system
- lack of maintenance
- incorrect set-up/installation of device
- failure to comply with Installation and Operating Manual
- technical modifications made to the appliance by third parties

6.6 ELIMINATION OF DEFECTS / REPAIR

Independent of any statutory provisions acknowledged as taking precedence over the terms of this warranty, all necessary repair works resulting from material or manufacturing defect shall be carried out free-of-charge and shall not invalidate the remaining provisions of the warranty.

Within the scope of this warranty promise Spartherm Feuerungstechnik GmbH reserves the right to either remedy the fault or replace the appliance free of charge. The elimination of defects shall take precedence. The terms of this warranty shall not extend to any damage or compensation not covered by statutory provisions.

6.7 EXTENSION OF THE WARRANTY PERIOD

The warranty period shall automatically be extended, where claims made in respect of these warranty provisions result in the repair or replacement of defective equipment.

6.8 SPARE PARTS

Only the manufacturer's own components, or replacement parts recommended and approved by the manufacturer, shall be used for appliance servicing and repair.

6.9 LIABILITY

Damages and claims for compensation which are not the result of delivery of a defective appliance from Spartherm Feuerungstechnik GmbH are excluded and are not part of this warranty promise. The above shall not include claims made in respect of statutory legal requirements.

6.10 FINAL COMMENTS

In addition to these warranty conditions and our commitment to them, our dealers and contractual partners are pledged to assist you in both word and deed.

It is expressly recommended to have ebios-fire products checked regularly by a stove fitter/specialist dealer.

We reserve the right to make alterations to the technical data contained herein and accept no liability in respect of any errors made.

SPARTHERM

DIE WELTMARKE FÜR IHR WOHNZIMMER

The Global brand for your living room | La référence mondiale pour votre salon | Il marchio mondiale per il vostro soggiorno

La marca mundial para su salón | Het merk van wereldformaat voor uw woonkamer | Światowa marka do Państwa salonu

Торговая марка № 1 для Вашего дома

D Ihr Fachhändler | UK Your specialist dealer | F Votre revendeur spécialisé
IT Il vostro rivenditore specializzato | E Sus comercios especializados
NL Uw vakhandelaar | PL Państwa sprzedawca | РУС Ваш дилер



Spartherm Feuerungstechnik GmbH · Maschweg 38 · D-49324 Melle
Phone +49 (0) 5422 94 41-0 · Fax +49 (0) 5422 9441-14 · www.spartherm.com