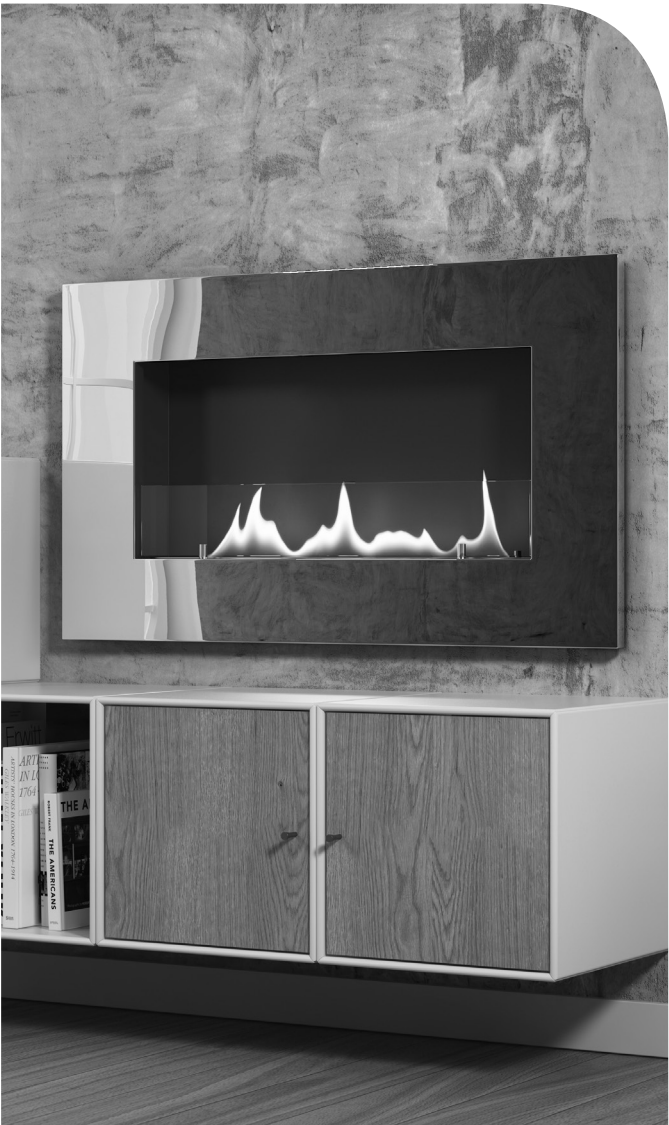




# Installation and Operating Manual

ebios fire - Oxford





## FOREWORD / QUALITY PHILOSOPHY

You have chosen a SPARTHERM ebios-fire. Thank you for your confidence in our technology.

In a world characterised by excess and mass production, the good name of our firm is inextricably linked to the credo of our owner, Gerhard Manfred Rokossa:

“High technical quality combined with modern design and on-site customer service carried out to the latter’s full satisfaction, in the expectation that the customer will then recommend us to others.”

Together with our partners at specialist dealerships, we offer first-class products that stir the emotions, evoking feelings of security and comfort. However, to ensure that we achieve this, we recommend that you read the operating manual carefully to quickly familiarise yourself with your decorative fire in all its details.

In addition to information on how to use it, this manual also contains important maintenance and operating instructions for your safety and to ensure your ebios-fire retains its value, as well as useful tips.

If you have any further questions, please contact your dealer.  
A beautiful fire at all times.

Your SPARTHERM Team  
G.M. Rokossa

# CONTENTS

Important information	4	4. Cleaning and care	16
1. General information	4	4.1 Cleaning cladding parts	16
1.1 Scope of delivery - Burner	5	5. Maintenance / troubleshooting	16
2. Installation instructions	5	5.1 Furniture and glass becomes sooted heavily, rapidly and unevenly.	17
2.1 Technical data	5	5.2 Fire is difficult to ignite	17
2.2 Dimensional drawing	6	5.3 Unpleasant odours	17
2.3 CERAMAT FN burner mat	6	5.4 Appearance of flames changes	17
2.4 Basic requirements for installation	6	5.5 Spilt ethanol ignites	17
2.5 Installation site	7	6. General warranty conditions	17
2.6 Installation / assembly	7	6.1 Area of application	17
2.6.1 Dimensional drawing for wall suspended assembly	8	6.2 General information	18
2.6.3 Dimensional drawing for build in version	9	6.3 Warranty period	18
2.6.3 Assembly of the devices	9	6.4 Requirements for this warranty to be effective	18
2.6.4 Fire protection / minimum distances	12	6.5 Exclusion of warranty	18
2.7 Combustion air supply	13	6.6 Elimination of defects / repair	18
.	13	6.7 Extension of the warranty period	19
3. Operating Manual	13	6.8 Spare parts	19
3.1 General information on operation	13	6.9 Liability	19
3.2 Combustible	14	6.10 Final comments	19
3.3. Startup	15	7. Declaration from the builder of a custom-made piece of furniture / fireplace with the Oxford 600/700	19
3.4 Refilling the burner	16		

## IMPORTANT INFORMATION

As per the German Equipment and Product Safety Act (GPSG) and our statutory duty to notify, we would like to inform you about heating with this product.

The Bio Chimney combustion heat at 0.5 litres / hour equates to approx. 3,300 W. The calorific value of 96% ethanol equates to approx. 29,600 kJ / kg. With fuel consumption of 0.5 l/h (approx. 0.4 kg/h) the heat released is approx. 3,300 W.

However, the decorative fireplace requires a plentiful supply of fresh air when operated as otherwise the amount of carbon dioxide created exceeds the permitted concentration in the room air.

As a rule, the fresh air supplied is cooler than the room air to be heated up which results in a loss of energy. The effective heat output of a biofuel fireplace is thus minimal and, as such, decorative fireplaces which use biofuel are not sources of heat.

Rather these are merely decorative and are not intended for heating or continuous operation. Nevertheless, it should be taken into account that heat is generated as a by-product of the combustion process. This can cause increased heating in the room where the fireplace is installed. Read the safety instructions and measures for rear ventilation carefully.

**Observe these operating instructions.**

## 1. GENERAL INFORMATION

Small children, elderly or infirm persons: As is the case with all open flames, it is expedient that you attach a protective fixture for these groups of persons. **Risk of burn injuries!** Never leave these groups of persons unattended near the ebios-fire when a fire is burning or has just been extinguished! The ebios-fire must not be operated without supervision!

State-specific and local directives and regulations, in particular the fire safety regulations of the German Federal State or the Association of Swiss Canton Fire Insurance companies (VKF) must be complied with for the set-up and operation of your ebios-fire.

Ensure sufficient stability when setting up the fireplace and choose a location where movement of the burner during operation as a result of impacts etc. is ruled out.

All models may only be operated with the closed housing cover.

Please note that the fuel may not be refilled whilst the device is still warm or burning. The device may **ONLY** be refilled via the filling opening and **NOT** via the burner channel! We recommend extinguishing the ebios-fire by burning the fuel until the tank is empty. When not in operation, the cover plate must be above the burner.

Only allow the device to be refilled by individuals who are familiar with the safety instructions and who you have trained on its operation.

**The ebios-fire is not a heater but a decorative fire.**

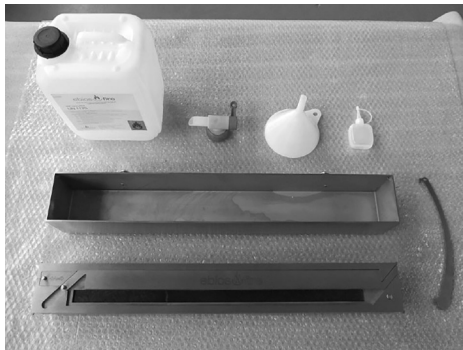
Bioethanol (96%) is a dangerous substance and must only be stored in the prescribed quantities as per the regulations:

Storage in a cellar: max. 20 litres  
Storage in living space: max. 5 litres

## 1.1 SCOPE OF DELIVERY - BURNER

ebios-fire with the following features:

- Wick burner made of stainless steel with Ceramat FN mat
- Reactor containment made of stainless steel
- Bottle for moistening the burner mat
- Cold hand for operating the slide control
- Funnel for filling the burner
- Stick lighter
- Ethanol (96%), 5 litre canister with outlet valve for initial operation
- Supplied pre-assembled in transport-friendly disposable cardboard packaging



Scope of delivery  
- Burner

## 2. INSTALLATION INSTRUCTIONS

Please follow the information below carefully. Bear in mind that bioethanol is a liquid fuel which is highly flammable and which results in high local temperatures when burnt. Failure to comply with the instructions for installation and operation can result in dangerous situations and even explosion of the fuel. Proper installation and handling ensure safe and reliable operation. The device must not be able to tilt and must be positioned horizontally. Secure the wall-mounted equipment as well as the installed equipment to the wall. This is in the interest of your own safety.

### 2.1 TECHNICAL DATA

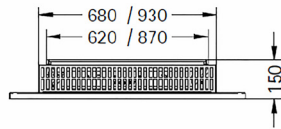
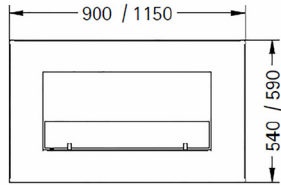
	<b>Oxford 600</b>	<b>Oxford 700</b>
<b>Fuel type:</b>	Bioethanol (ethanol content 96%)	Bioethanol (ethanol content 96%)
<b>Fill quantity:</b>	max. 2.47 litres	max. 2.88 litres
<b>Fuel consumption:</b>	0.5 l/h	0.7 l/h
<b>Combustion duration:</b>	Approx. 5 h	Approx. 5 h
<b>Temperature in the tank:</b>	< 65°C	< 65°C
<b>Total weight with burner</b>	21 kg (wall model) / 29 kg (installed model)	27 kg (wall model) / 37 kg (installed model)
<b>Minimum room volume per burner:</b>	87m <sup>3</sup>	111m <sup>3</sup>

Please note that the luminosity of the flame can decrease to such an extent that the flame is no longer clearly visible. Make children and others in the home aware of this.

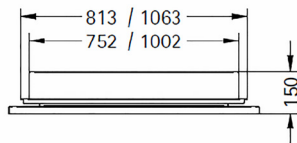
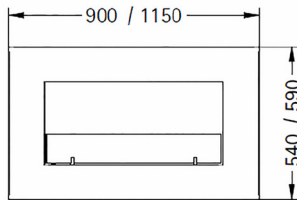
These details relate solely to the combustion air requirements of the ebios-fire. Should you have additional air-consuming devices installed in the room, these must be taken into consideration separately.

**Note:** CO<sub>2</sub> forms when ethanol is burnt. In order to guarantee a balanced ratio between CO<sub>2</sub> and atmospheric oxygen, ensure that the air in the room in which the burner is installed is sufficiently exchanged now and then. For this purpose, open a window or door.

## 2.2 DIMENSIONAL DRAWING



Oxford 600 / 700 Wall-mounted



Oxford 600 / 700 Wall installation

## 2.3 CERAMAT FN BURNER MAT

The CERAMAT FN burner mat (black) included and used should only be touched when wearing gloves as there is otherwise a risk of skin irritations. The material can be easily damaged. As such, the mat should not be folded, bent or similar.

## 2.4 BASIC REQUIREMENTS FOR INSTALLATION

All the relevant national and European standards as well as the local regulations (fire protection regulations etc.) must be observed and applied during installation and operation of the ebios-fire! The list of regulations given below is not exhaustive.

BetrSichV	Operational safety ordinance
Vbf	Flammable liquids directive
BsV	Fire protection directive of the relevant German federal state (Bundesland)
LBO	Federal state construction directives
GefStoffV	Hazardous substances directive

The ebios-fire may only be set up in rooms and locations where there are no hazards due to the site, structural conditions and type of use. The floor area of the installation room must be designed and dimensioned so that the ebios-fire can be operated properly and as per the intended use.

Only permitted and sufficiently strong transport aids may be used to transport the ebios-fire.

The following points must be noted to ensure safe and problem-free transport.

- There must be no fuel in the tank during transportation.

**DAMAGE DURING TRANSIT** should be reported immediately to the supplier. Protect the cladding and visible elements of the fireplace furniture from soiling and damage during installation and transportation.

## 2.5 INSTALLATION SITE

When setting up/installing the ebios-fire ensure that the device is not positioned within the direct radiation area of large heat sources (heaters, stoves etc.) or in rooms exposed to high temperatures (e.g., saunas). If the ethanol fireplace is heated up externally when not in use, this can cause fuel in the tank to be expelled over the burner channel and accumulate in the safety tray. In such cases, the burner is to be removed and the tray emptied before the ebios-fire is lit.

### Your ebios-fire must not be installed in:

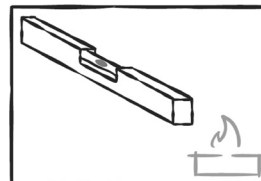
- In stairways, unless they are in residential buildings with two or fewer flats.
- In hallways with general access.
- In garages.
- In rooms in which highly combustible or potentially explosive substances or mixtures are processed, stored or manufactured in quantities that would be hazardous in the event of ignition or explosion
- In insufficiently ventilated rooms.
- In areas accessible to the public which are not supervised.
- In areas which are not protected against transverse ventilation
- On tables, pieces of furniture, shelves etc.

## 2.6 INSTALLATION / ASSEMBLY

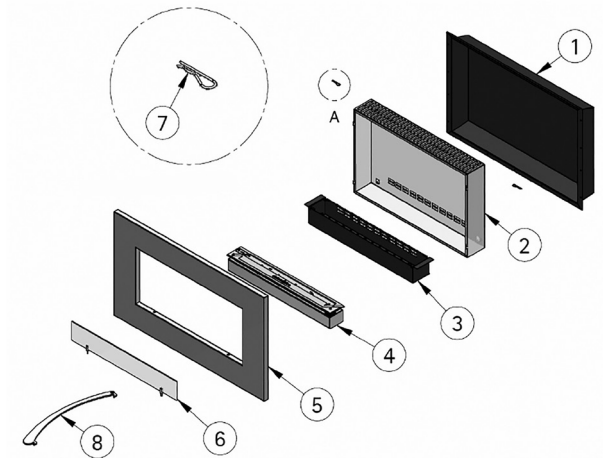
The ebios-fire Oxford 600/700 is a device for wall mounting or for being installed in a non-combustible wall. A flue gas guiding is not required for the Oxford 600/700.

The ebios-fire wall furniture must be fixed aligned horizontally and safely on or in the wall. In doing so, observe the applicable safety distances under 2.6.4. Rear ventilation points must not be closed. Position the burner in the mounting wall intended for the Oxford wall furniture. In doing so, the tank slider must be arranged at the rear left.

Use suitable fastening material (wall plugs, screws etc.) when securing to the wall.



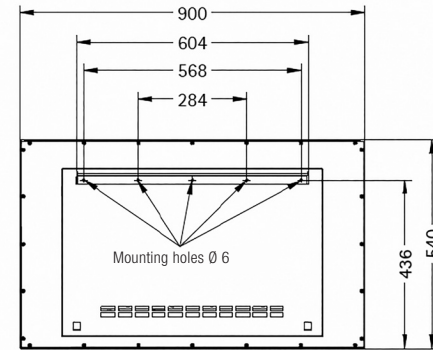
Basically, NO modifications may be made to the design of the Oxford 600/700.



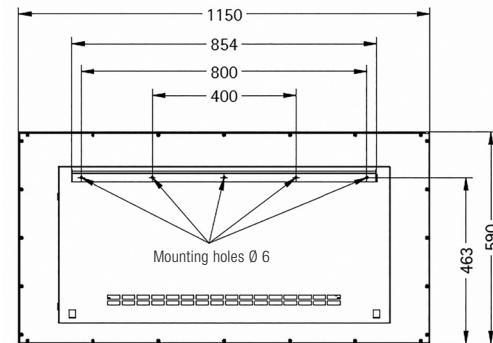
Exploded view drawing Oxford 600/700

Item	Name	Quantity
1	Wall build in construction kit (only for models for building in)	1
2	Body	1
3	Safety container	1
4	S-series burner insert	1
5	Window frame	1
6	Protective glass incl. glass holder	1
7	Safety split pin	2
8	Cold Hand	1
9	Heat baffle plate (only on model without a wall box)	1

## 2.6.1 DIMENSIONAL DRAWING FOR WALL SUSPENDED ASSEMBLY



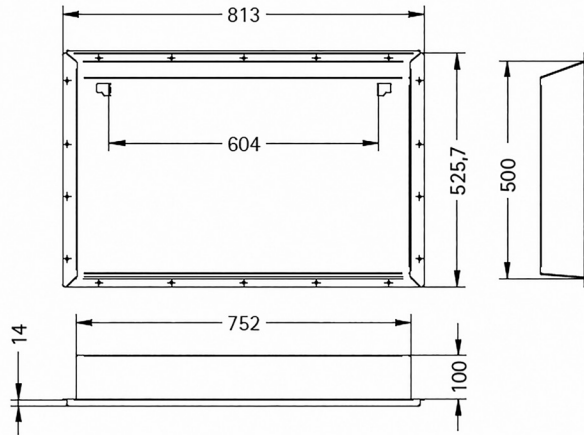
Oxford 600 - View from behind



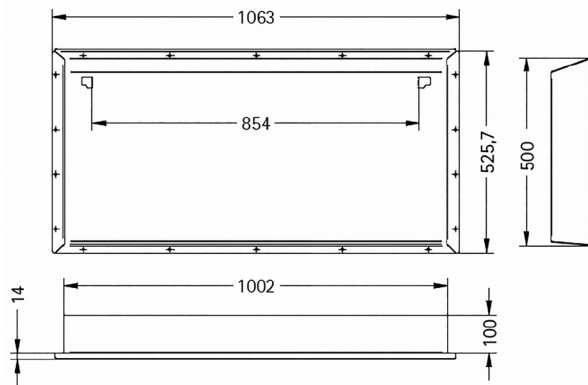
Oxford 700 - View from behind



### 2.6.3 DIMENSIONAL DRAWING FOR BUILD IN VERSION



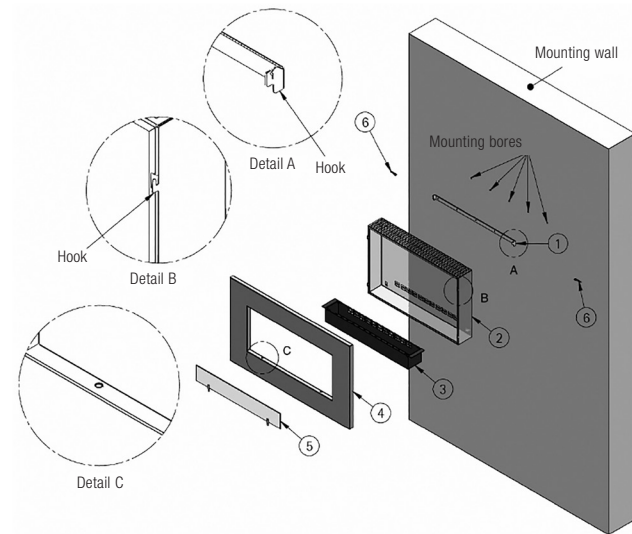
Oxford 600 - Wall build in construction kit



Oxford 700 - Wall build in construction kit

### 2.6.3 ASSEMBLY OF THE DEVICES

#### 1. Wall suspended assembly:



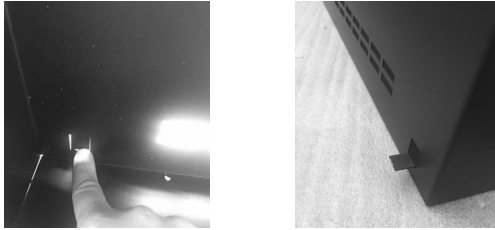
#### Assembly step 1:

Fix the wall holder (1) to the attachment wall. In doing so, use the appropriate fastening material. Please obtain the drilling pattern from the dimensional drawing for wall-mounted installation. (see Page 8) During installation, please observe the minimum distances to combustible components under 2.6.4 on pages 12 and 13.

#### Assembly step 2:

Hang the body (2) onto the mounting hooks (detail A) of the wall holder (1). In doing so, ensure that it is mounted horizontally.

**Note:** Press the spacer on the back of the stove body (2) backwards to remove it. (see images below).



**Assembly step 3:**

Insert the reactor containment (3) into the body (2). The container must be inserted flush to the back wall of the body.

**Assembly step 4:**

Next, hang the window frame (4) onto the body (2). The mounting hooks (detail B) are used for fixing. The mounting slots of the window frame are located on the back side.

**Assembly step 5:**

Now (if you have not already done so), insert the burner. The cold hand is used as an aid for this. (see Fig.1 and Fig.2).

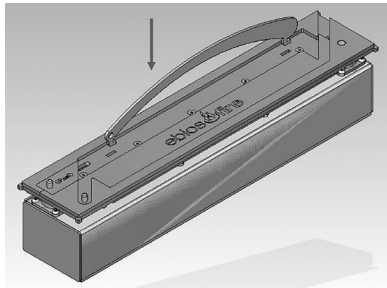


Fig. 1

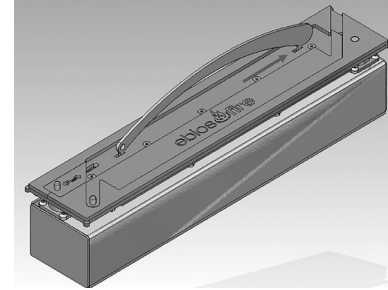


Fig. 2

Carefully insert the burner into the reactor containment (3) so that all four corners are resting. Remove the cold hand.

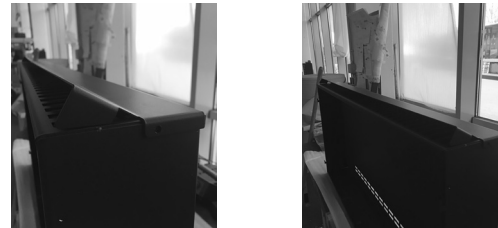
**Assembly step 6:**

Insert the protective glass (5) into the mounting points (detail C) provided. In the last step, please secure the body to the wall holder using the two safety cotter pins (6) supplied. The cotter pins are mounted on the mounting hooks (detail A).

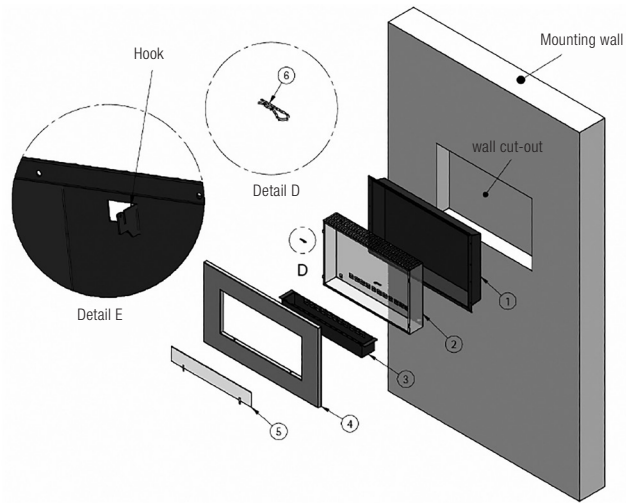
Make sure that you have observed all assembly steps and that you have checked that everything is fixed correctly.

**Assembly step 7:**

When designed as a wall-hanging version, the scope of delivery includes a heat baffle plate. This protects your mounting wall from excessive radiant heat. Please fit this as shown on the following photos.



## 2. In-wall assembly:



### Assembly step 1:

Ensure for a sufficiently dimensioned wall cut-out and insert the wall build in construction kit (1) into the wall. The dimensions of the wall build in construction kit on page 9 under 2.6.2 serve as an assistance for dimensioning the wall cut-out. Fix the build in construction kit to the attachment wall using the respective fastening material. The pre-drilled holes in the box serve as an aid for you for this purpose. During installation, please observe the minimum distances to combustible components under 2.6.4 on pages 12 and 13.

### Assembly step 2:

Hang the body (2) onto the mounting hooks (detail E) of the wall build in construction kit (1). In doing so, ensure that it is mounted horizontally.

### Assembly step 3:

Insert the reactor containment (3) into the body (2). The container must be inserted flush to the back wall of the body.

### Assembly step 4:

Next, hang the window frame (4) onto the body (2). The mounting hooks are used for fixing. The mounting slots of the window frame are located on the back side.

### Assembly step 5:

Now (if you have not already done so), insert the burner. The cold hand is used as an aid for this. (see Fig.1 and Fig.2).

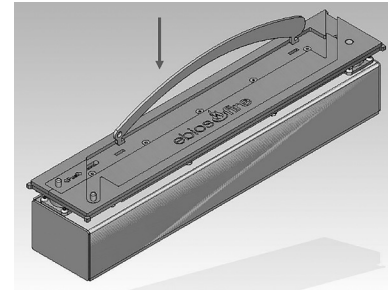


Fig 3

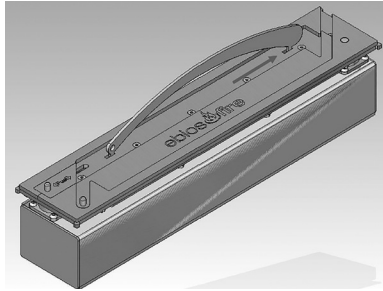


Fig. 4

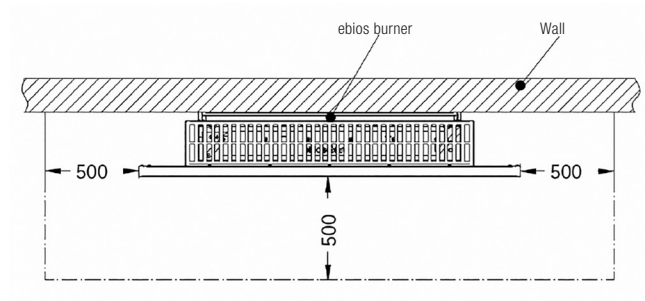
Carefully insert the burner into the reactor containment (3) so that all four corners are resting. Remove the cold hand.

**Assembly step 6:**

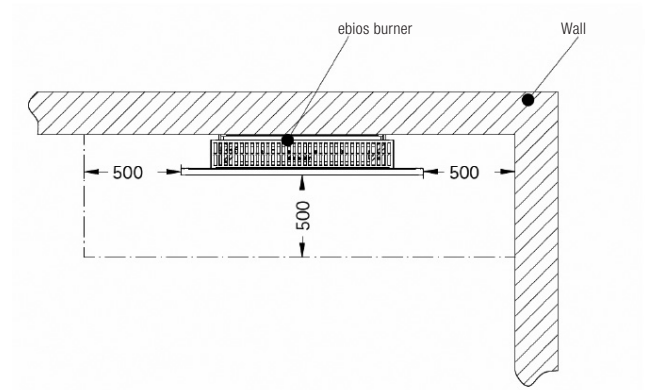
Insert the protective glass (5) into the mounting points provided. In the last step, please secure the body on to the wall build in construction kit (1) using the two safety cotter pins (6) supplied. The safety cotter pins (detail D) are mounted on the mounting hooks of the build in construction kit.

Make sure that you have observed all assembly steps and that you have checked that everything is fixed correctly.

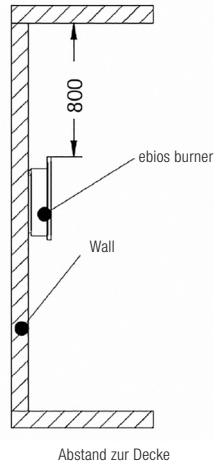
## 2.6.4 FIRE PROTECTION / MINIMUM DISTANCES



Mounting on a straight wall



Mounting in a wall corner



## 2.7 COMBUSTION AIR SUPPLY

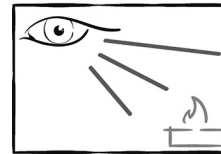
Your ebios-fire draws its combustion air from the room in which it is installed (dependent on indoor air). It must be ensured that there is a sufficient supply of fresh air to the room in which the fire is installed. It is possible that there is not a sufficient supply of fresh air if the windows and doors are sealed (e.g., in combination with energy saving measures). This can compromise your well-being and, under certain circumstances, also your safety and the combustion performance. Open a window to ensure a sufficient supply of fresh air

## 3. OPERATING MANUAL

Read these installation and operating instructions carefully before installing and starting up your ebios-fire. All items are to be removed from the ebios-fire Oxford 600/700 (except the burner unit). Please follow the regulations for fire protection and dangerous goods!

### 3.1 GENERAL INFORMATION ON OPERATION

- Small children, elderly or infirm persons: As is the case with all open flames, it is expedient that you attach a protective fixture for these groups of persons (available as an accessory from specialist dealers).  
**Risk of burn injuries!** Never leave these groups of persons unattended near the ebios-fire when a fire is burning or has just been extinguished! Make these individuals aware of these risks.
- No combustible objects may be placed or laid on the free surfaces of the ebios-fire-Oxford 600/700. Do not place items of clothing on the furniture to dry. Racks for drying clothing may only be placed outside the radiation area (see item 2.6.4 Fire protection)! **Risk of fires!**
- Thermal energy is released during the combustion process which causes the burner, the housing surfaces, the glass panes (depending on the model) and the protective glass panes to heat up. It is not permitted to touch these items without taking the necessary precautions (e.g., heat-resistant glove). **Risk of burn injuries!**
- Never leave the fire unattended whilst it is alight!



- It is recommended to open a window during operation.
- Several decorative ethanol fireplaces may only be operated if the fuel consumption rate of all devices together does not exceed 0.5 l/h and if additional measures are taken to ensure sufficient ventilation. In this context, please observe the information on page 5, under item 2.1 Technical data.
- The burner may only be operated with the burner mat and these wicks. It is not permitted to change the number of wicks, the wick material or the burner mat.
- The ebios-fire furniture must not be modified.
- This is merely a decorative fireplace for use in the home and is not intended for heating or continuous operation! Nevertheless, it should be taken into account that heat (approx. 3 kW) is generated as a by-product of the combustion process. Amongst other things this can cause increased heating in the room where the fireplace is installed.
- There should never be any fuel in the tank and the extinguishing slide must always be placed on the burner when the latter is not in use.
- The burners are designed for the fuel to be burnt until all gone. If you only wish to enjoy the flames for a short period of time, use a correspondingly smaller amount of fuel. If you wish to take the burner out of operation prematurely, place the cover slide on the burner with the aid of the cold hand. After shutting down the burner, always allow at least 1 hour.
- The burner must NOT be filled when warm or alight and must NOT be filled via the burner channel! **DANGER TO LIFE!**



- The handling of fuel in the vicinity of the hot or burning device is associated with significant risks and is not permitted!

- Only fill the burner via the filling opening and never via the burner channel!
- Should you accidentally spill ethanol, clean this up immediately and before lighting the burner!
- Please note that the luminosity of the flame can decrease to such an extent that the flame is no longer clearly visible. Make children and others in the home aware of this.
- Minimum waiting time between extinguishing and refilling the burner = 1 hour!
- Do not smoke when handling fuel and operating the ebios-fire.

Failure to follow these basic rules can result in uncontrolled ignition or even explosions!

## 3.2 COMBUSTIBLE

Bioethanol (chemical formula  $C_2H_6O$ ) with an ethanol content of 96% is used as the fuel. This can be purchased from specialist dealers. It is a dangerous substance as per ADR: Class 3 PG II, UN 1170.

Under no circumstances should other fuels such as petrol, spirit or similar flammable liquids be used. Do not mix the fuels together or with other substances. The burners may only be operated using the prescribed fuel (96% degree of purity) otherwise the warranty will be rendered void and the device may be unsafe or dangerous to operate.

Ethanol is a highly flammable liquid which must be stored well sealed, protected from light and away from sources of fire. It is permitted to store max. 5 l in the living space and max. 20 l in the cellar. Keep bioethanol out of the reach of children. For your safety only fill the burner just before use to prevent it from being ignited unintentionally or by unauthorised persons and to also stop the fuel from evaporating.

Please note that ethanol is used exclusively for combustion and it not suitable for consumption. Supervise your children! If swallowed consult a doctor immediately and present the fuel label.

### 3.3. STARTUP

The ebios-fire-Oxford 600/700 is supplied with an empty burner to prevent any ethanol from flowing out or evaporating during transit. Ensure (particularly before being put into use) that there is no fuel in the safety container.

#### Proceed as follows:

1. Ensure that the air supply is sufficient.
2. Make sure that the burner has gone out and has cooled down fully (minimum waiting time after being extinguished = 1 hour). Make sure that the extinguishing slider is placed on the burner and covers the burner mat.

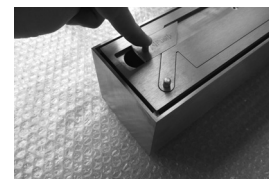
3. The burner can remain in the housing when being refilled. For this purpose, open the tank slider.



4. Check the tank content.
5. Insert the funnel into the filler neck and fill the burner using the 5 litre canister supplied, and the filling adapter screwed on. The tank is full when the level indicator moves upwards. Please obtain the filling quantity from the technical data under 2.1. Still leave the tank slider open.



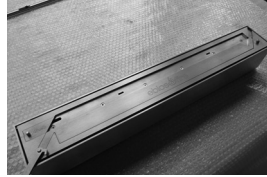
6. Take the bottle to wet the burner. Insert the bottle with the opening into the tank opening so that it projects into the fuel. Press the bottle together so that the air escapes and the fuel is sucked up when it is released. Wait until the bottle returns to its original shape. Then close the tank slider.



7. Wet the burner mat with sufficient fuel using the bottle which has just been filled. (Filled to half or three quarters of the bottle filling quantity).



8. Use the stick lighter to ignite the burner mat. Take a few steps back. It may take a few minutes until uniform flames appear.
9. Extinguishing the fire: In order to extinguish the ethanol fire, use the cold hand and hook this into the extinguishing slide. To extinguish, simply pull the extinguishing slide closed. In individual cases, this procedure may have to be carried out several times.



Should you pour in too much fuel and cause the burner to overflow, the ethanol collects in the reactor containment. Empty this immediately and before lighting the burner. Clean the surface of the burner until it is dry and completely free of ethanol.

**Caution:** Ethanol is highly combustible. There must be no sources of ignition in the vicinity!

### 3.4 REFILLING THE BURNER

The burner must NOT be filled when warm or alight and must NOT be filled via the burner channel! **DANGER TO LIFE!**



Minimum waiting time between extinguishing and refilling the burner = 1 hour!

Please also leave the protective panes which may still be hot on the device during this time! **Risk of burn injuries!**

The burners are designed for the fuel to be burnt until all gone. If you only wish to enjoy the flames for a short period of time, use a correspondingly smaller amount of fuel. If you wish to take the burner out of operation

prematurely, place the extinguishing slide on the burner as described in step 9 under item 3.3.

For filling the burner, orientate yourself on the steps 1-9 under item 3.3.

## 4. CLEANING AND CARE

The ebios-fire–Oxford 600/700 may only be cleaned when cold.

### 4.1 CLEANING CLADDING PARTS

- Wait until the device has cooled down before cleaning (at least 1 hour)!
- Decorative metal surfaces and the cladding parts can be cleaned with a moist cloth (do not use a micro-fibre cloth!).
- Glass surfaces can be cleaned with a standard glass cleaner and a soft cloth (do not use a micro-fibre cloth!).
- Stainless steel surfaces can be cleaned with a standard stainless steel cleaning agent. Only use in the direction of the finish!

Remove any dust on and below the ebios-fire furniture regularly as dust particles can burn or char. This can cause dirt in the room and on the furnishings where the fire is installed.

## 5. MAINTENANCE / TROUBLESHOOTING

- The wick and burner mat must be visually inspected at regular inter-vals. The material can be easily damaged. As such, the burner mat should not be folded, bent or similar. It is not permitted to change the burner mat or wick.



- The burner mat must be replaced after approx. 800 service hours (corresponds to a fuel throughput of around 400 l bioethanol). Please contact your specialist dealer.
- Only use our original spare parts.
- The tank seal must be examined occasionally for cracks or brittleness and should be replaced if necessary.
- Please contact your specialist dealer should you have any questions.

### 5.1 FURNITURE AND GLASS BECOMES SOOTED HEAVILY, RAPIDLY AND UNEVENLY.

If this did not occur from the very start, please check the following points:

- Has the correct fuel been used?
- Cladding/cover correctly positioned?

### 5.2 FIRE IS DIFFICULT TO IGNITE

If this did not occur from the very start, please check the following points:

- Is there fuel in the burner?
- Have you wetted the ignition mats?
- Has the correct fuel been used?

### 5.3 UNPLEASANT ODOURS

- Fuel in a burner which is not in use?
- Cover plate in position?
- Fuel was spilt when filling the device?

### 5.4 APPEARANCE OF FLAMES CHANGES

- Is the burner mat damaged?
- Has the correct fuel been used?
- Were all safety distances observed?
- Is the site of installation sufficiently ventilated?
- Is the installation site protected from transverse ventilation?

If the appearance of the flames changes noticeably, especially if the flames begin to extend far above the protective pane, stop using the device and notify the specialist dealer!

### 5.5 SPILT ETHANOL IGNITES

If spilt ethanol is ignited, attempt to put out the flames immediately. Use, for example, foam fire extinguishers with alcohol-resistant foam or suitable fire blankets. We recommend that such extinguishing agents be kept at the ready.

Should it not be possible to extinguish the fire rapidly, the fire service must be notified immediately and their instructions followed.

## 6. GENERAL WARRANTY CONDITIONS

### 6.1 AREA OF APPLICATION

These standard warranty terms apply for the contractual relationship between the manufacturer, Spartherm Feuerungstechnik GmbH, and the dealer/distributor. They are not congruent with the contractual and warranty terms which the dealer/distributor offers his customers in individual cases.

## 6.2 GENERAL INFORMATION

This product has been manufactured in compliance with current standards of quality control. The materials used have been carefully selected and - like the production process - are subject to on-going quality control.

Specialist knowledge is required when assembling and installing the product. The product must, therefore, only be installed and commissioned into service by specialist technical staff, in compliance with current statutory provisions.

## 6.3 WARRANTY PERIOD

The standard warranty terms only apply within Germany and the European Union. The warranty period and scope of the warranty are ensured within the framework of these conditions outside the statutory warranty which remains unaffected.

Spartherm Feuerungstechnik GmbH grants a 24-month warranty on ebios-fire devices (Solitaire and inserts)

Spartherm Feuerungstechnik GmbH grants a 6-month warranty on wearing parts in the fire area, e.g., wicks, burner mats, seals and glass ceramic.

## 6.4 REQUIREMENTS FOR THIS WARRANTY TO BE EFFECTIVE

The warranty period shall begin on the date, on which the product is delivered to the dealer / distributor. Invoices or delivery notes may be used as confirmation of the warranty commencement date. The warranty certificate for the product must be presented by the claimant upon making a warranty claim. Spartherm Feuerungstechnik GmbH is not obliged to satisfy any claim if such documentation is not presented.

## 6.5 EXCLUSION OF WARRANTY

This warranty does not cover:

- component wear
  - Wick/burner mat due to thermal stress
- the fireplace surfaces:
  - Discolouration of the finish or on the galvanic surfaces of the furniture and/or burner which are a result of thermal stresses or overloading
- the glass panes:
  - contamination, due to soot or other burnt-on combustion materials and visual deterioration due to thermal loading.
- Use of unsuitable or non-designated fuel.
- We recommend bioethanol from Spartherm Feuerungstechnik GmbH with a concentration in excess of 96% for your ebios-fire device.
- incorrect transportation and/or incorrect storage:
- inappropriate or careless handling of fragile components, such as glass or ceramics
- improper operation and/or use
- incorrect filling of system
- lack of maintenance
- incorrect set-up/installation of device
- failure to comply with Installation and Operating Manual
- technical modifications made to the appliance by third parties

## 6.6 ELIMINATION OF DEFECTS / REPAIR

Independent of any statutory provisions acknowledged as taking precedence over the terms of this warranty, all necessary repair works resulting from material or manufacturing defect shall be carried out free-of-charge and shall not invalidate the remaining provisions of the warranty.

Within the scope of this warranty promise Spartherm Feuerungstechnik GmbH reserves the right to either remedy the fault or replace the device free of charge. The elimination of defects shall take precedence. The terms of this warranty shall not extend to any damage or compensation not covered by statutory provisions.

## 6.7 EXTENSION OF THE WARRANTY PERIOD

The warranty period shall automatically be extended, where claims made in respect of these warranty provisions result in the repair or replacement of defective equipment.

## 6.8 SPARE PARTS

Only the manufacturer's own components, or replacement parts recommended and approved by the manufacturer, shall be used for appliance servicing and repair.

## 6.9 LIABILITY

Damages and claims for compensation which are not the result of delivery of a defective appliance from Spartherm Feuerungstechnik GmbH are excluded and are not part of this warranty promise.

The above shall not include claims made in respect of statutory legal requirements.

## 6.10 FINAL COMMENTS

In addition to these warranty conditions and our commitment to them, our dealers and contractual partners are pledged to assist you in both word and deed. It is expressly recommended to have ebios-fire products checked regularly by a stove fitter/specialist dealer.

# 7. DECLARATION FROM THE BUILDER OF A CUSTOM-MADE PIECE OF FURNITURE / FIREPLACE WITH THE OXFORD 600/700

The furniture or stove builder must confirm to the buyer of the custom-made piece of furniture / fireplace with the Oxford 600/700 that it has been properly constructed (piece of furniture / stove) and installed (Oxford 600/700). The builder confirms that all the points listed in the manual have been considered and properly implemented in his design. Furthermore, the builder must provide the buyer with this manual. The declaration by the builder to the buyer must be made in writing.

### **IMPORTANT: Keep in a safe place!**

Store these instructions with valid and clearly dated proof of purchase and have the documents ready for our technicians in the event of service work.

We reserve the right to make alterations to the technical data contained herein and accept no liability in respect of any errors made

# SPARTHERM

DIE WELTMARKE FÜR IHR WOHNZIMMER

The Global brand for your living room | La référence mondiale pour votre salon | Il marchio mondiale per il vostro soggiorno

La marca mundial para su salón | Het merk van wereldformaat voor uw woonkamer | Światowa marka do Państwa salonu

Торговая марка № 1 для Вашего дома

D Ihr Fachhändler | UK Your specialist dealer | F Votre revendeur spécialisé  
IT Il vostro rivenditore specializzato | E Sus comercios especializados  
NL Uw vakhandelaar | PL Państwa sprzedawca | РУС Ваш дилер



SPARTHERM Feuerungstechnik GmbH · Maschweg 38 · D-49324 Melle  
Phone +49 (0) 5422 94 41-0 · Fax +49 (0) 5422 9441-14 · [www.spartherm.com](http://www.spartherm.com)